

SC21F

Standard Compressor

R134a

220-240V 50Hz

Data Sheet (Replaces CD.44.X2.02)

General

Compressor	SC21F
Code number	104G8100
Code number compressor with oil cooler	104G8110

Application

Application	LBP*)	
Evaporating temperature range	°C	-35 to -5
Voltage range	V/Hz	198 - 254 /50
Motor type	CSIR	
Max. ambient temperature	°C	38
Comp. cooling at ambient temp.	32°C	O/F ₁
	38°C	O/F ₁

*) Can be used as a HBP compressor with 240V 50Hz mains (216-254V).

Design

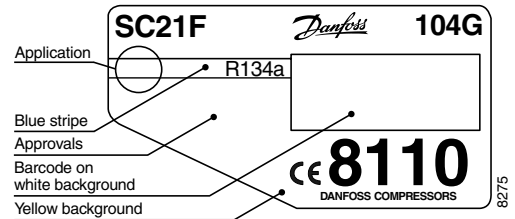
Displacement	cm ³	20.95
Oil quantity	cm ³	550 (500 on comp. with oil cooler)
Maximum refrigerant charge	g	1300
Free gas vol. in compressor	cm ³	1460
Weight without electrical equipment	kg	13.3

Motor

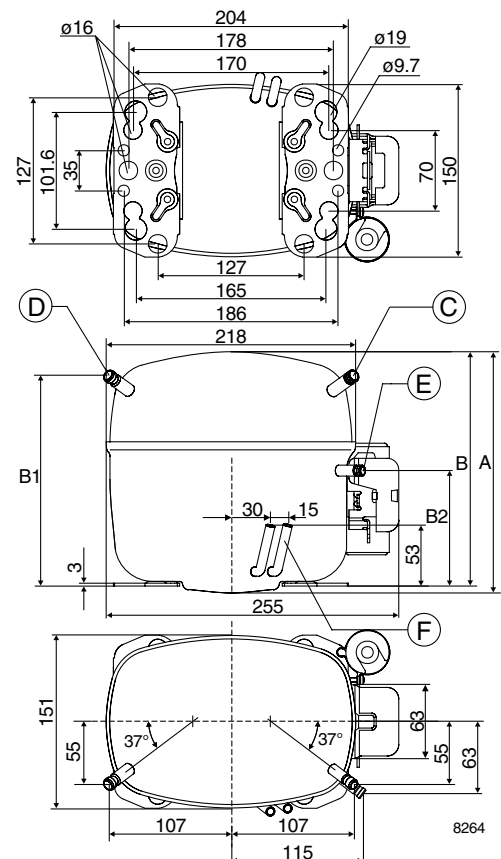
Motor size	watt	495
LRA (rated after 4 sec. UL984) HST	A	18.6
Cut-in current HST	A	18.6
Resistance, main and start winding (25°C)	Ω	3.7/14.1
Approvals	EN 60335-2-34	

Dimensions

Height	mm	A	219
		B	213
		B1	193
		B2	110
Suction connector	location/I.D. mm	C	10.2 ±0.09
Process connector	location/I.D. mm	D	6.2 ±0.09
Discharge connector	location/I.D. mm	E	6.2 ±0.09
Oil cooler	location/I.D. mm	F	6.2 ±0.09
Compressors on a pallet	pcs.	80	



- S = Static cooling normally sufficient
- O = Oil cooling
- F₁ = Fan cooling 1.5 m/s
(compressor compartment temperature equal to ambient temperature)
- F₂ = Fan cooling 3.0 m/s necessary



Capacity (EN 12900/CECOMAF)

watt

Comp. \ °C	-35	-30	-25	-23.3	-20	-15	-10	-5
SC21F	185	245	335	375	455	610	780	990

Capacity (ASHRAE)

watt

Comp. \ °C	-35	-30	-25	-23.3	-20	-15	-10	-5
SC21F	228	302	412	462	560	750	960	1220

Power consumption

watt

Comp. \ °C	-35	-30	-25	-23.3	-20	-15	-10	-5
SC21F	275	325	380	405	450	520	600	685

Current consumption

A

Comp. \ °C	-35	-30	-25	-23.3	-20	-15	-10	-5
SC21F	2.50	2.64	2.77	2.81	2.92	3.16	3.53	4.09

COP (EN 12900/CECOMAF)

W/W

Comp. \ °C	-35	-30	-25	-23.3	-20	-15	-10	-5
SC21F	0.67	0.75	0.88	0.92	1.01	1.17	1.30	1.45

COP (ASHRAE)

W/W

Comp. \ °C	-35	-30	-25	-23.3	-20	-15	-10	-5
SC21F	0.83	0.93	1.08	1.14	1.24	1.44	1.60	1.78

Test conditions

Condensing temperature

Ambient and suction gas temp.

Liquid temperature

Fan cooling, 220V 50Hz

EN 12900/CECOMAF

55°C

32°C

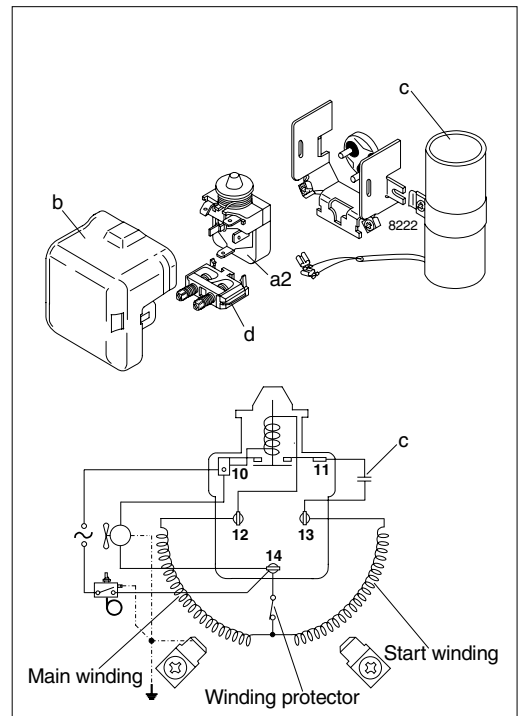
55°C

ASHRAE

55°C

32°C

32°C



Accessories

Devices	Fig.	SC21F
Starting relay	a2	117U6019
Cover	b	103N2009
Starting capacitor 80 µF	c	117U5017
Cord relief	d	103N1004
Mounting accessories		
Bolt joint for one compressor		118-1917
Bolt joint in quantities		118-1918
Snap-on in quantities		118-1919