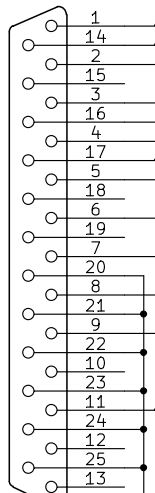
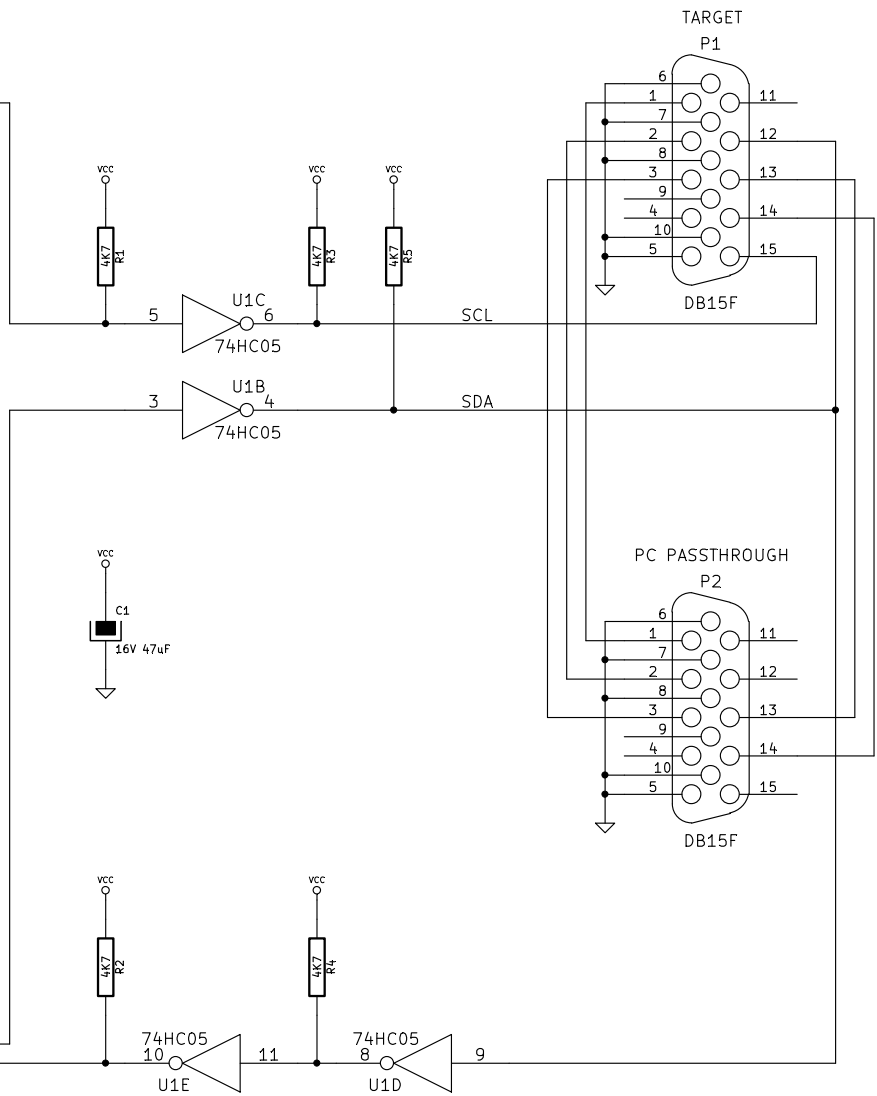
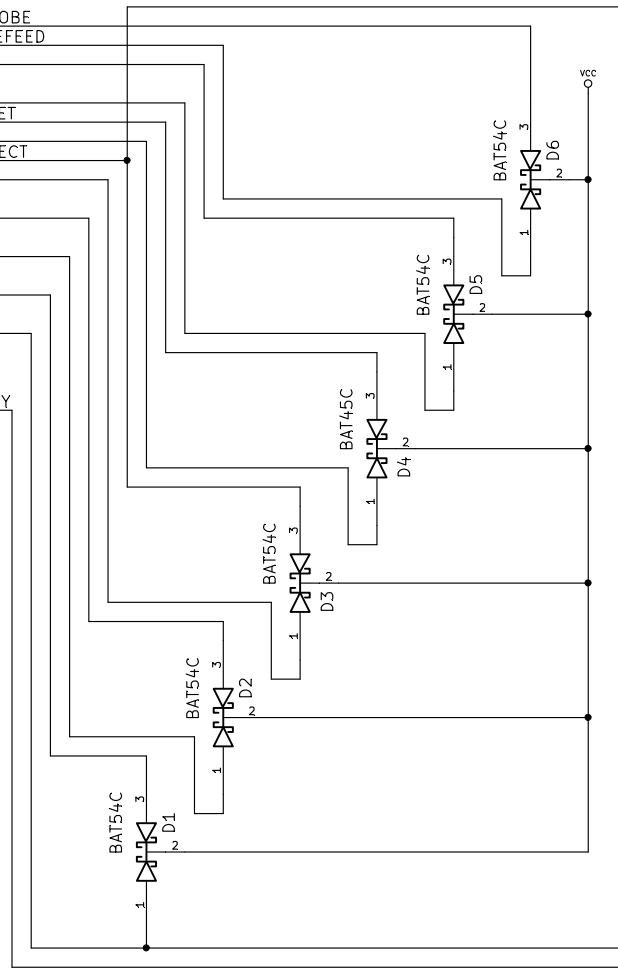


PARALLEL PORT  
P3



DB25M



<b>Matthew Millman</b>		
File: ddcparallel.sch		
Sheet: /		
<b>Title: Parallel DDC adapter</b>		
Size: A4	Date: 10 may 2014	Rev:
KiCad E.D.A. eeschema (2013-07-07 BZR 4022)-stable		Id: 1/1